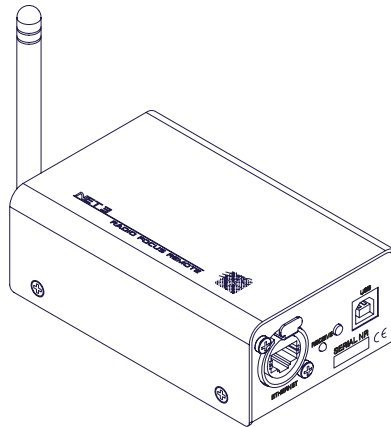
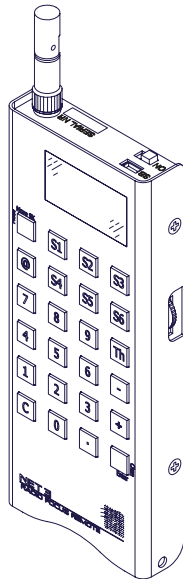




Eos® Series
Congo® Series



GENERAL INFORMATION

The Net3 Radio Focus Remote (RFR) provides comprehensive wireless remote control of your Eos, Ion or Congo lighting control system. The small handheld transmitter unit provides access to common controls for channel and dimmer checks and uses softkeys for access to more advanced console functions. The integral display provides softkey labeling and status information. The RFR has encoder wheels on either side of the transmitter unit for parameter control and scrolling functions. The transmitter batteries are recharged by connecting the unit to an active USB port. The small receiver unit plugs directly into and is powered by the USB port on the console or a powered Ethernet connection within the lighting network.

APPLICATIONS

- Theatre
- Schools and Colleges
- TV Studios
- Touring

FEATURES

- Wireless communication
- Generous radio range
- Commonly used commands for focus and basic record & playback
- Softkeys for additional commands
- Built-in display for system status and softkey labels
- On/Off switch
- Supports multiple systems operating separately in same area
- Rechargeable NiMH batteries
- USB connectivity
- Ethernet connectivity

ORDERING INFORMATION

Net3 Radio Focus Remote

MODEL	DESCRIPTION
RFR	Net3 Radio Focus Remote, Transmitter and Receiver
RFR-RX	Net3 Radio Focus Remote, Receiver Only
RFR-TX	Net3 Radio Focus Remote, Transmitter Only

Ships with

- USB A to B cable
- USB A to mini B cable
- Wall-Wart Power Supply
- Belt Clip



0845 094 3049

info@london-light.com



SPECIFICATIONS

TRANSMITTER UNIT (HANDHELD)

- Output - Default HF:1 (2.410 GHz) with 11 additional HF: channels available (2.410GHz - 2.465 GHz). 99 Network IDs available per channel.
- Antenna - Helical, fixed. Connections - Integral USB connector to console or powered USB hub normally used for charging the unit.
- Working range - 90m (300 ft) indoor, 200m (656 ft) in free field.
- Power - 2x NimH rechargeable battery. (Recharge using the USB connection.)

RECEIVER UNIT (BASE STATION)

- Connections - Integral USB connector to console or powered USB hub. Ethercon connector to powered Ethernet.
- Power - USB or Power over Ethernet (PoE).
- Maximum USB cable length - 5m (16.5') from power source using USB.
- Maximum Ethernet cable length - 100m (328') from power source (including in-wall cabling)

COMPATIBILITY

- Eos Console
- Eos Remote Processor Unit (RPU)
- Ion Console
- Ion Remote Processor Unit (RPU)
- Eos/Ion Client
- Net3 Remote Video Interface (USB, when used with Eos)
- Congo Console
- Congo jr Console
- Congo Light Server

PHYSICAL

Net3 Radio Focus Remote Dimensions*

MODEL	HEIGHT		WIDTH		DEPTH	
	inches	mm	inches	mm	inches	mm
Transmitter	6.61	168	2.68	68	.80	20
Receiver	1.57	40	2.78	71	4.41	112

*Dimensions, typical, do not include antenna.

Net3 Radio Focus Remote Weights*

MODEL	WEIGHT		SHIPPING WEIGHT	
	lbs	kgs	lbs	kgs
Transmitter	14 oz.	.40	N/A	N/A
Receiver	13 oz.	.38	N/A	N/A
RFR Kit			TBD	TBD

*Weights, typical, include antenna.

